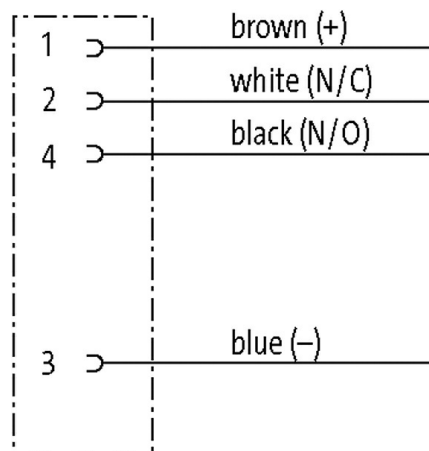
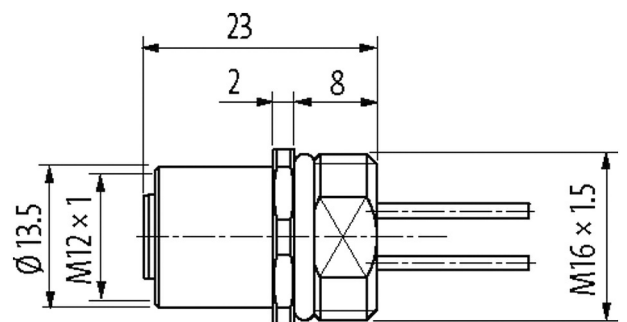


M12 FEMALE FLANGE PLUG A CODED FRONT MOUNT

PVC-wires 4X0.34 0.2m

Flange female
M12, 4-pole
Front mounting
with multi-strand wire

Illustration

Product may differ from Image

Approvals

**Form**

Form 13541

Cables

Cable number	901
No./diameter of wires	4 x 0.34 mm ²
Wire isolation	PVC (br, wh, bl, bk)
Outer Ø	1.3 mm ±5%
Bend radius (fixed)	5 x outer Ø
Temperature range (fixed)	-40...+105 °C
Temperature range (mobile)	-5...+105 °C

Technical Data

Operating voltage	max. 250 V AC/DC
Rated surge voltage	2.5 kV
Operating current per contact	max. 4 A
No. of poles	4
Material group	IEC 60664-1, category I
Coding	A-coded
LED display	no
Locking of ports	Screw thread (M12x1 mm) recommended torque 0.6 Nm, self-securing
Compression gland	M12 (SW14)
Protection	IP67 inserted and tightened (EN 60529)
Protection NEMA	3, 4, 6P (UL 50E)
Material	Zinc die casting, brass-plated
Locking material	Zinc die casting, brass-plated
suitable for corrugated tube (internal Ø)	without

General data

Standards	DIN EN 61076-2-101 (M12)
Material (contact)	Copper alloy
Material (contact surface)	Au
Material (gasket)	FKM
Pollution Degree	3
Temperature range	-25...+85 °C

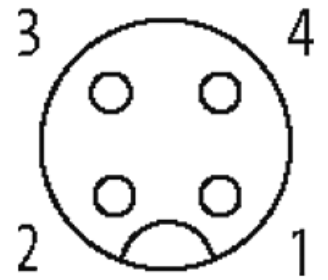
Commercial data

country of origin	DE
customs tariff number	85444290
EAN	4048879294737
eClass	27279220
Packaging unit	1

Sketch

stay connected

Female



Product may differ from Image